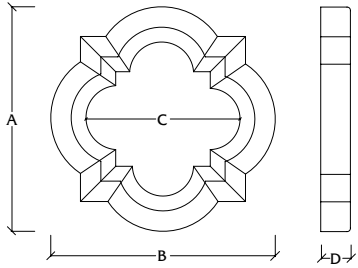


WINDOW SURROUNDS & STAIR TREADS

Window Surrounds

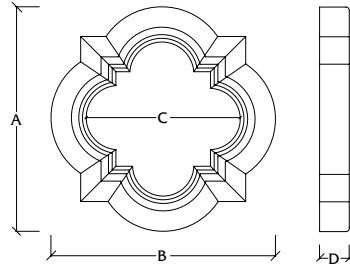
- Mesa Precast recommends installing windows during the framing stage of a project
- See chart for sizes

Arabesque Windows



Window "A"

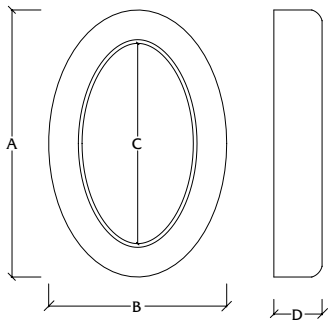
	A	B	C	D
A-4-32	30 1/4"	30 1/4"	21 1/2"	4"
A-6-32	30 1/4"	30 1/4"	21 1/2"	6"
A-6-36	36"	36"	24 3/4"	6"
A-8-40	39 3/4"	39 3/4"	28 1/2"	8"



Window "AP"

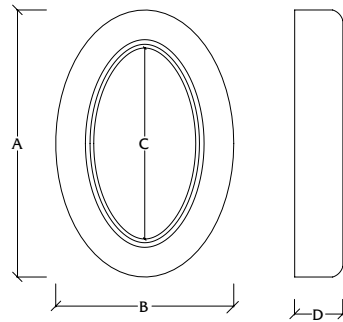
	A	B	C	D
AP-4-32	30 1/4"	30 1/4"	20 1/2"	4"
AP-6-32	30 1/4"	30 1/4"	20 1/2"	6"
AP-6-36	36"	36"	23 3/4"	6"
AP-8-40	39 3/4"	39 3/4"	27 1/2"	8"

Oval Windows



Window "O"

	A	B	C	D
O-2-3	36"	24"	27"	6 1/2"
O-3-4	48"	36"	36"	6 1/2"



Window "OL"

	A	B	C	D
OL-2-3	36"	24"	25 3/4"	6 1/2"
OL-3-4	48"	36"	35 1/8"	6 1/2"

Stair Treads

- Engineering is required for most stair tread applications
- Stair treads are custom manufactured per design

