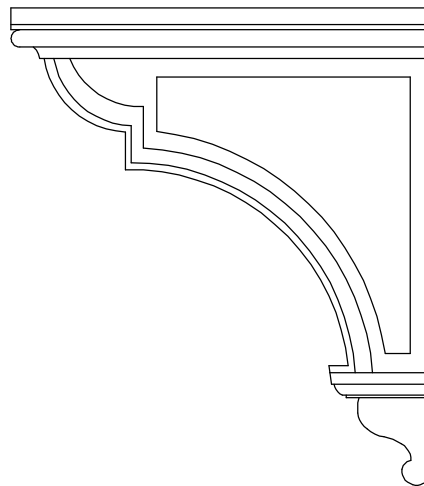
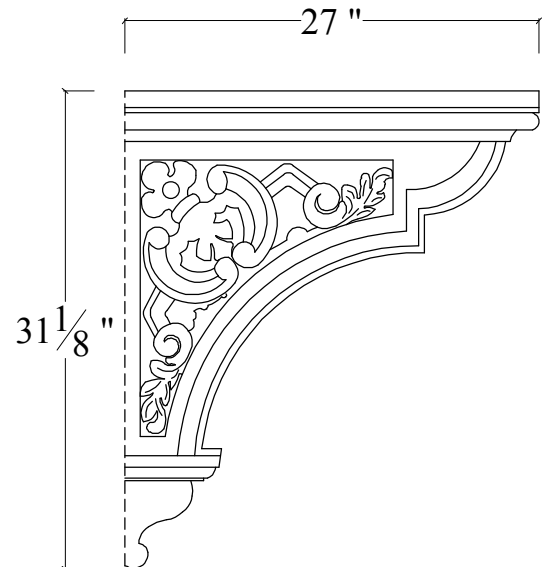


FRONT VIEW



SIDE VIEW



OPPOSITE SIDE VIEW

CORBEL

INDICATES UNFINISHED
SURFACE

PIECE ID: BENEDETTO BRACKET-R	QUANTITY:	COLOR:	FINISH:
PROJECT NAME:		WEIGHT: ~ LBS.	
LOCATION:		MIX: C-A (CONCRETE)	
CONTACT:			
DETAIL:			
LIFTING DEVICES:			
ATTACHMENT:			WWW.MESAPRECAST.COM