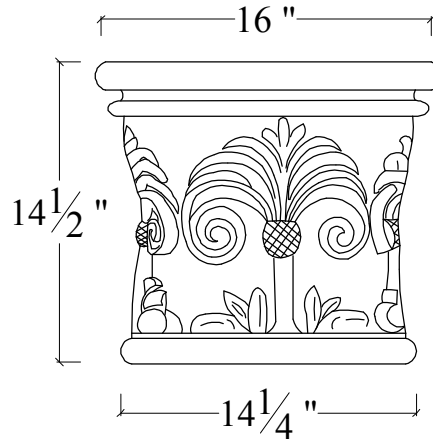


TOP VIEW



SIDE VIEW

COLUMN CAPITAL

INDICATES UNFINISHED SURFACE

PIECE ID: MC-C-RP	QUANTITY:	COLOR:	FINISH:
PROJECT NAME:		WEIGHT: ~ LBS.	
LOCATION:		MIX: C-A (CONCRETE)	
CONTACT:			
DETAIL:			
LIFTING DEVICES: NONE, UNLESS SPECIFIED			
ATTACHMENT:			WWW.MESAPRECAST.COM