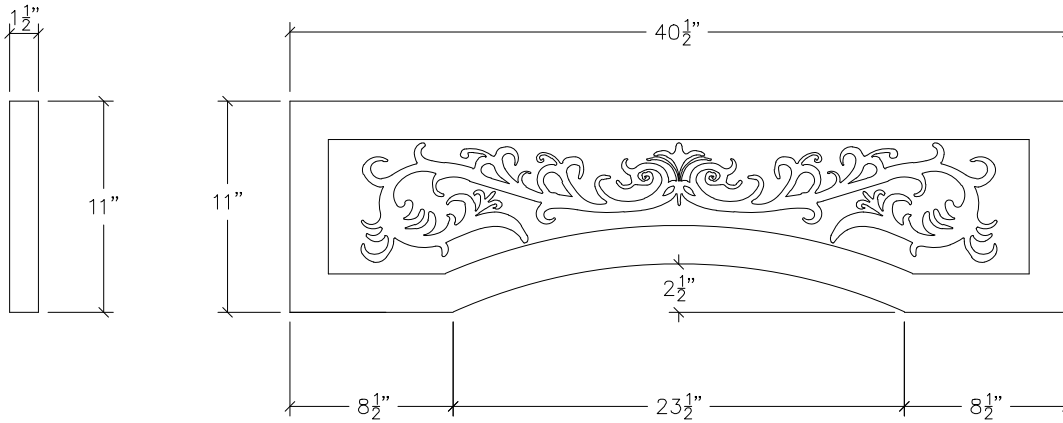


..\..\logos\Mesa-Precast-logo-final_04-08-09.jpg

MESA PRECAST & SUPPLY, LLC.

415 S. PRICE RD. TEMPE, AZ 85281

OFFICE: 480-968-5400 FAX: 480-894-0375



SIDE VIEW

FRONT VIEW

PIECE ID: DECORATIVE PANEL 1	QUANTITY:	COLOR:	FINISH:
PROJECT NAME:		WEIGHT: ~ LBS.	
LOCATION:		MIX: C-A (CONCRETE)	
CONTACT:			
DETAIL:			
LIFTING DEVICES:			
ATTACHMENT:			WWW.MESAPRECAST.COM