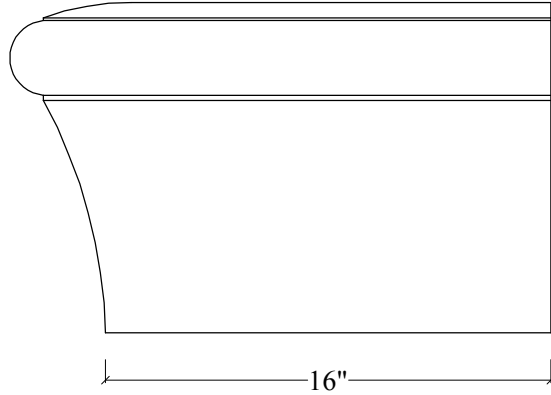
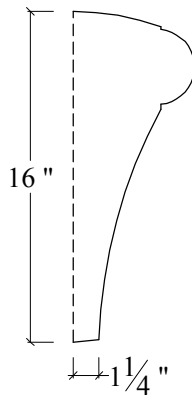


ISOMETRIC



FRONT VIEW



PROFILE

**MOLDING / WALLCAP**

-----  
INDICATES UNFINISHED SURFACE

PIECE ID: <b>MC-1LR</b>	QUANTITY:	COLOR:	FINISH:
PROJECT NAME:		WEIGHT: ~ LBS.	
LOCATION:		MIX: <b>C-A (CONCRETE)</b>	
CONTACT:			
DETAIL:			
LIFTING DEVICES:			
ATTACHMENT:			<b>WWW.MESAPRECAST.COM</b>