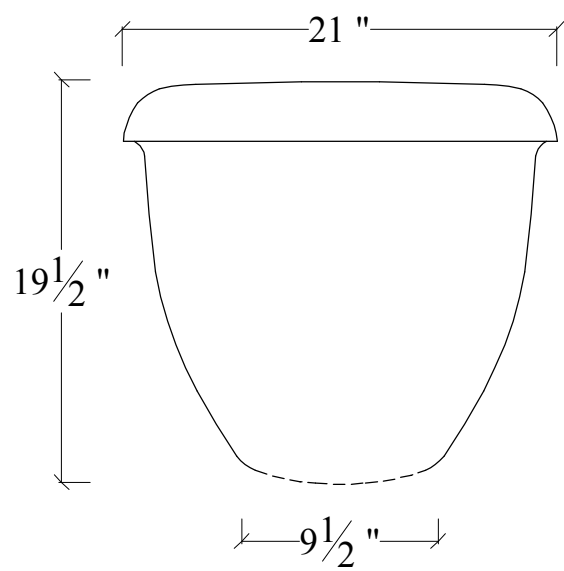


TOP VIEW



SIDE VIEW

-----  
INDICATES UNFINISHED SURFACE

**PLANTER**

|                          |           |                            |                            |
|--------------------------|-----------|----------------------------|----------------------------|
| PIECE ID:<br><b>P-SJ</b> | QUANTITY: | COLOR:                     | FINISH:                    |
| PROJECT NAME:            |           | WEIGHT: ~ LBS.             |                            |
| LOCATION:                |           | MIX: <b>C-A (CONCRETE)</b> |                            |
| CONTACT:                 |           |                            |                            |
| DETAIL:                  |           |                            |                            |
| LIFTING DEVICES:         |           |                            |                            |
| ATTACHMENT:              |           |                            | <b>WWW.MESAPRECAST.COM</b> |